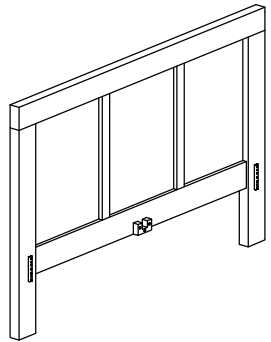
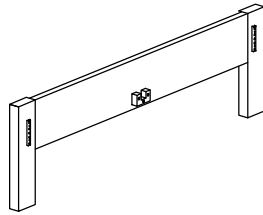


ASSEMBLY INSTRUCTION BED 5'

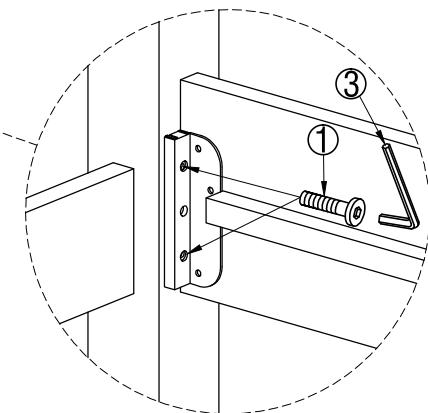
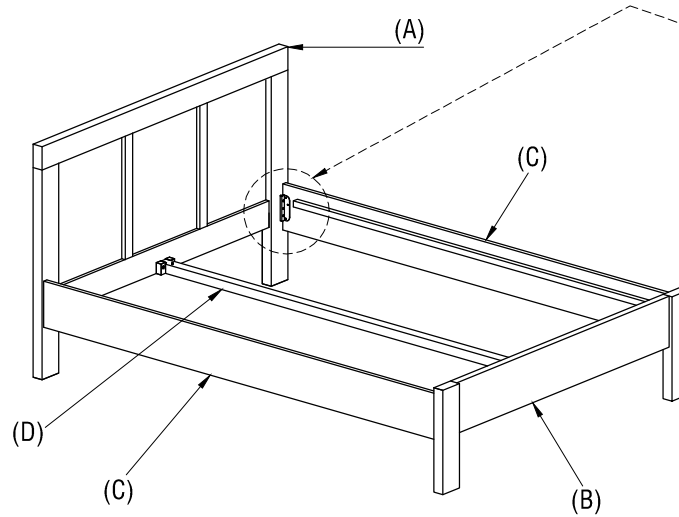
Headboard (A)=1pc



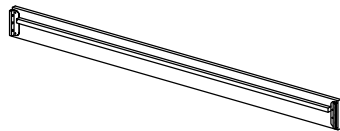
Footboard (B) =1pc



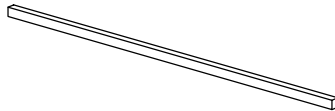
Step 1



Siderail (C) =2pcs

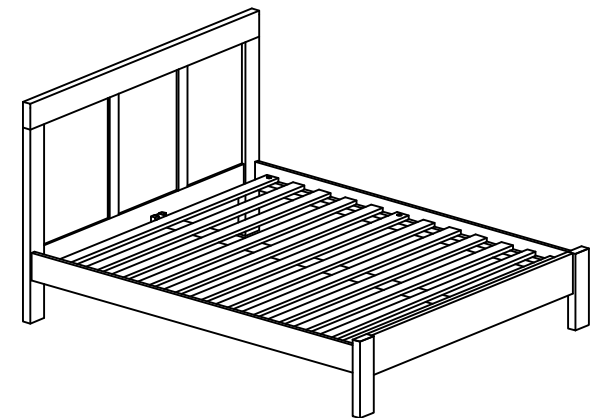
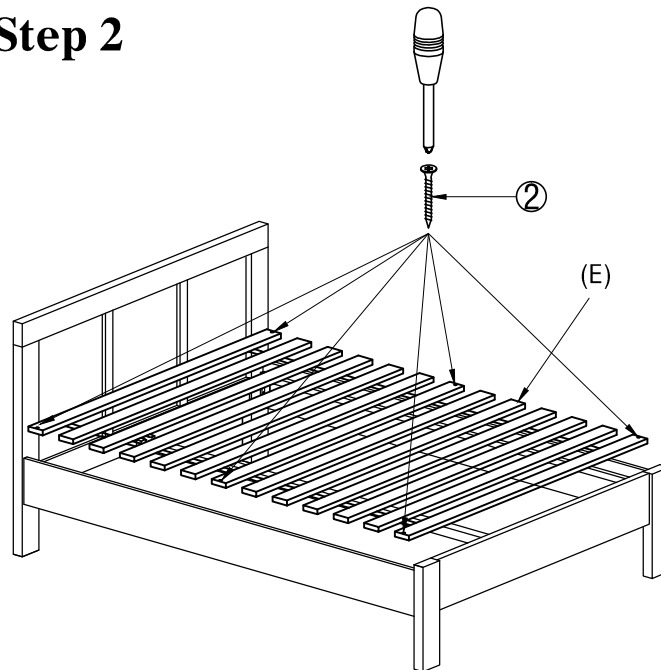
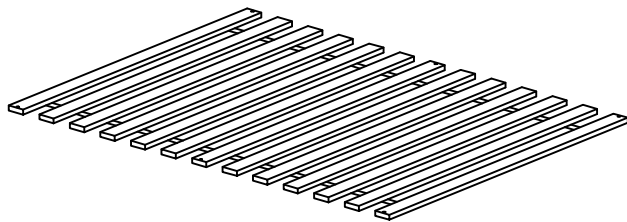





middle rail (D)=1pc



Step 2

Slat frame (E) =1pc



- | | | |
|---|---|-----------------|
| ① |  | M6 x 10 = 8 pcs |
| ② |  | M4 x 30 = 6 pcs |
| ③ |  | K5 = 1pc |